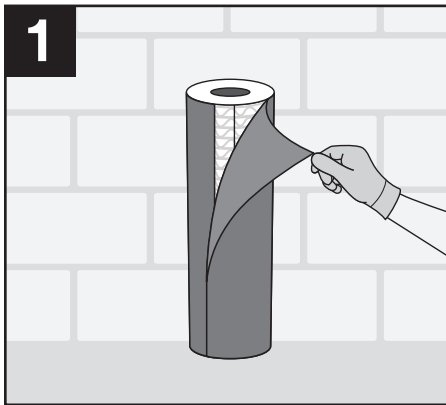


## 3M™ Air Barrier with Permeable Backing 3015VP

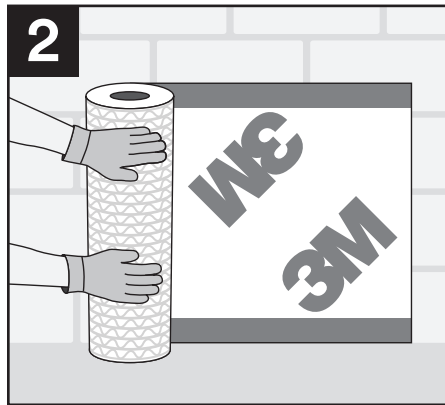
3M™ Air Barrier with Permeable Backing 3015VP with high performance 3M™ Acrylic Adhesive adheres on contact to most exterior building surfaces without the use of adhesive primer. It can be applied in temperatures between 0°F and 150°F (-18°C and 66°C) ensuring that construction projects are not delayed due to severe temperatures. 3M™ Air Barrier with Permeable Backing 3015VP is highly UV resistant and can be left uncovered for up to 12 months. It can be installed vertically or horizontally. When product is installed horizontally, it must be installed starting at the base of the building in a shingled fashion, such that the lower courses are under the upper courses and water running down the wall will flow over the joints without getting behind the membrane. Each course and butt joints must be overlapped by at least 2". All penetrations pipes, ducts, windows and doors must be flashed with 3M™ Air and Vapor Barrier 3015NP detailing tape or 3M™ Ultra Conformable Flashing Tape 3015UC such that water drains on top of membrane and not behind it. No primer is needed on most construction surfaces.

3M™ Air Barrier with Permeable Backing 3015VP is reverse wound for ease of installation. The impermeable release liner **MUST** be removed after each lap has been installed to ensure product performance, see steps 5 and 6 below. Any warranty is null and void if the release liner is not removed from the backing. The adhesive is very aggressive and quickly bonds to substrates. Do not contaminate the adhesive area with dust or debris before applying it to the intended surface. Be careful when aligning product on the wall as repositioning may be challenging.

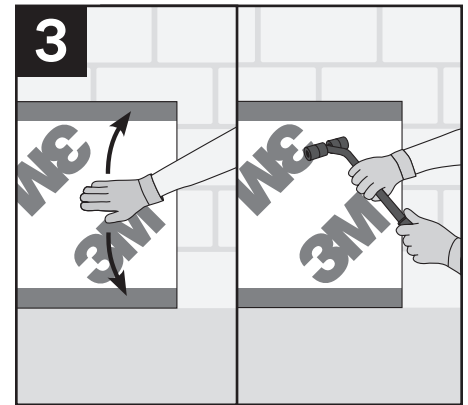
Refer to 3M™ Air Barrier with Permeable Backing 3015VP Specification Guide for detailed application information.



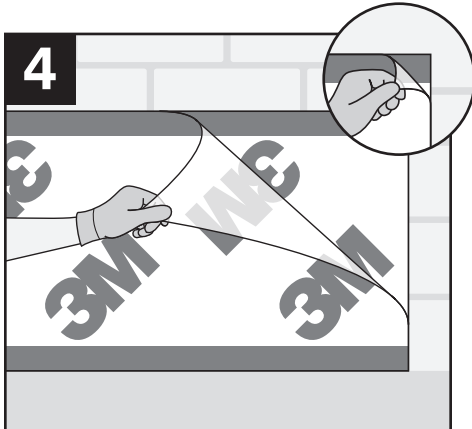
1 Prepare roll of 3M™ Air Barrier with Permeable Backing 3015VP by removing the protective film wrap to expose the adhesive.



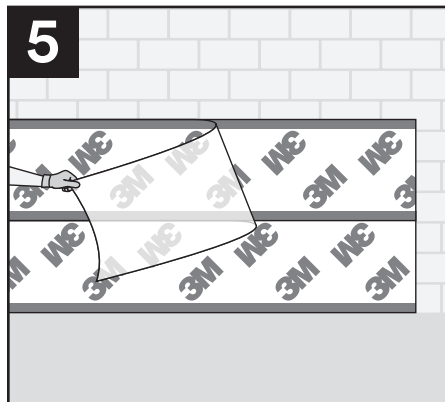
2 Unwind the roll horizontally or vertically with adequate pressure on it to ensure a good initial bond to the building substrate as you move along the wall.



3 Wipe the membrane from the middle outward to obtain a smooth application, then roll with a rubber roller for a tight bond to the wall and overlaps.



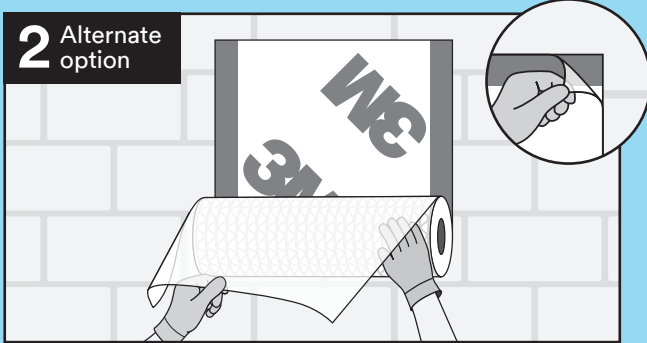
4 **IMPORTANT:** Ensure that the clear protective film/release liner is removed from the membrane backing before installing the next lap of 3M™ Air Barrier with Permeable Backing 3015VP.



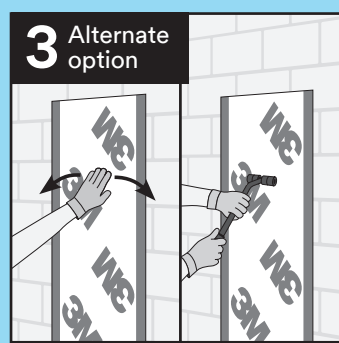
5 Repeat steps 1–5 for each lap of 3M™ Air Barrier with Permeable Backing 3015VP. To ensure adequate permeability and adhesion remove clear protective film/release liner before installing next lap.

See back  
for alternate  
liner removal  
instructions

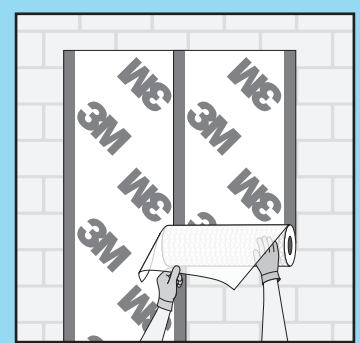
## Alternate application method — removing liner during application



Alternatively, you can remove the clear protective film/release liner as the roll is applied horizontally or vertically to the building substrate. Be sure to use adequate pressure on the roll as you move along the wall to ensure a good initial bond.



Wipe the membrane from the middle outward to obtain a smooth application, then roll with a rubber roller for a tight bond to the wall and overlaps.



Repeat steps for each lap of 3M™ Air Barrier with Permeable Backing 3015VP.

## 3M™ Air Barrier with Permeable Backing 3015VP Installation Best Practices

### Substrate Surface Requirements

3M™ Air Barrier with Permeable Backing 3015VP can be applied to a wide variety of sheathing substrates, typically without priming. Substrate condition is crucial to the adhesion performance of any adhesive membrane.

- Substrate surfaces must be free of grease, oil, un-bonded paint, corrosion or other substances that would adversely affect the adhesive bond between the membrane and substrate
- Substrate surface must be dry to the touch for optimum performance
- Substrate surface temperature must be between 0°F and 150°F (-18°C and 66°C)
- Rolls must be stored at a temperature between 0°F and 150°F (-18°C and 66°C) to ensure initial bond performance

### Surface Preparation

- Fill gaps and cracks exceeding 1/4" but less than 1/2" width with 3M™ Polyurethane Construction Sealant 540 (or similar), and tool the surface flush and smooth
- Fill gaps exceeding 1/2" width with closed cell foam backer rod, seal with 3M™ Polyurethane Construction Sealant 540 (or similar), and tool the surface flush and smooth
- Concrete substrates shall have fins ground flush and void areas filled
- Masonry substrates must have mortar joints tooled or struck flush.

### Substrate Specific Guidelines

- Exterior gypsum sheathing shall have moisture content below 19%, with no open joints or cracks wider than 1/2"
- Plywood sheathing shall have moisture content below 16%, with no open joints or cracks wider than 1/2"

### Details, Penetrations, Windows and Doors

It is recommended to detail window and door penetrations before installing the field membrane, but post-installation is acceptable. All penetrations, including windows and doors, must be installed in proper sequence for appropriate moisture management. 3M recommends using 3M™ Air and Vapor Barrier 3015NP or 3015TWF for flashing and detail work. Penetrations should be additionally sealed with 3M™ Polyurethane Construction Sealant 540 (or similar) to achieve a weather-tight result. Vertical seams should be staggered from floor to floor, or separated by a horizontally applied strip of 3M™ Air Barrier with Permeable Backing 3015VP.

### Membrane Installation

3M™ Air Barrier with Permeable Backing 3015VP is wound with the adhesive on the outside surface of the roll to provide easy installation. Follow these steps to ensure a properly installed product.

- Prepare roll of 3M™ Air Barrier with Permeable Backing 3015VP by removing the protective film wrap to expose the adhesive.
- Plan the course and once aligned, apply the air barrier by pressing the roll with the exposed adhesive against the building substrate.
- Unwind the roll with adequate pressure on it, to ensure a good initial bond to the building substrate, as you move along the wall.
- Wipe the membrane down with a feathering motion from the middle outward to obtain a smooth application.
- Roll the membrane with a rubber roller to ensure a tight bond to the wall and between overlapped edges.
- **IMPORTANT: Ensure that the clear protective film/release liner is removed from the membrane backing before the next lap of 3M™ Air Barrier with Permeable Backing 3015VP is installed to ensure adequate permeability and lap adhesion.**
- Seal the exposed leading edge of the membrane at the end of each work day using 3M™ Polyurethane Construction Sealant 540 (or similar). Smooth the bead to the surface to avoid creating areas where water may collect.

Learn about 3M's advanced technologies for controlling airflow and optimizing the indoor climate at [3M.com/airbarrier](http://3M.com/airbarrier) or contact your 3M representative at 866-513-4026.

**Technical Information:** The technical information, guidance, and other statements contained in this document or otherwise provided by 3M are based upon records, tests, or experience that 3M believes to be reliable, but the accuracy, completeness, and representative nature of such information is not guaranteed. Such information is intended for people with knowledge and technical skills sufficient to assess and apply their own informed judgment to the information. No license under any 3M or third party intellectual property rights is granted or implied with this information. **Product Selection and Use:** Many factors beyond 3M's control and uniquely within user's knowledge and control can affect the use and performance of a 3M product in a particular application. As a result, customer is solely responsible for evaluating the product and determining whether it is appropriate and suitable for customer's application, including conducting a workplace hazard assessment and reviewing all applicable regulations and standards (e.g., OSHA, ANSI, etc.). Failure to properly evaluate, select, and use a 3M product and appropriate safety products, or to meet all applicable safety regulations, may result in injury, sickness, death, and/or harm to property. **Warranty, Limited Remedy, and Disclaimer:** Unless a different warranty is specifically stated on the applicable 3M product packaging or product literature (in which case such warranty governs), 3M warrants that each 3M product meets the applicable 3M product specification at the time 3M ships the product. 3M MAKES NO OTHER WARRANTIES OR CONDITIONS, EXPRESS OR IMPLIED, INCLUDING, BUT NOT LIMITED TO, ANY IMPLIED WARRANTY OR CONDITION OF MERCHANTABILITY, FITNESS FOR A PARTICULAR PURPOSE, OR ARISING OUT OF A COURSE OF DEALING, CUSTOM, OR USAGE OF TRADE. If a 3M product does not conform to this warranty, then the sole and exclusive remedy is, at 3M's option, replacement of the 3M product or refund of the purchase price. **Limitation of Liability:** Except for the limited remedy stated above, and except to the extent prohibited by law, 3M will not be liable for any loss or damage arising from or related to the 3M product, whether direct, indirect, special, incidental, or consequential (including, but not limited to, lost profits or business opportunity), regardless of the legal or equitable theory asserted, including, but not limited to, warranty, contract, negligence, or strict liability.



3M Industrial Adhesives and Tapes Division  
3M Center, Building 225-3S-06  
St. Paul, MN 55144-1000

Phone 866-513-4026  
Web [3M.com/airbarrier](http://3M.com/airbarrier)

3M is a trademark of 3M Company. © 3M 2021. All rights reserved.